

BOL SERIES Outdoor Lighting

BOL-502-32-MCT-BK
BOL-502-32-MCT-BR
RECTANGULAR PATH-LIGHT BOLLARD, 3 CCT, 4-3/4 X 3-3/8"

MCTP Multi Color Temperature & Multi Power/Wattage (Selectable)

Customer Name: _____

Project Name: _____

Note: _____

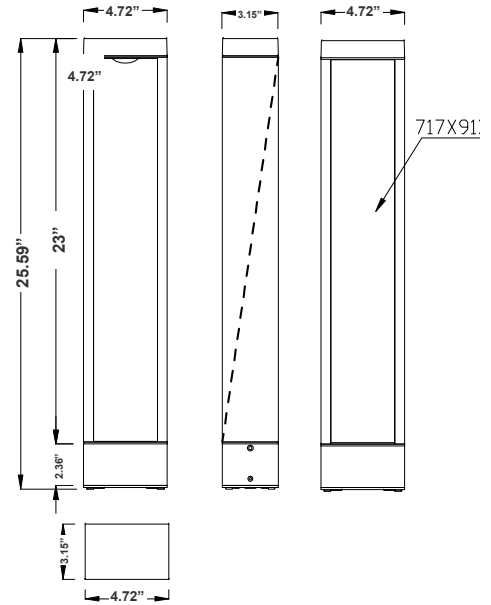
Type: _____



Avail Finishes:



Bollards are designed for walkways, entrance ways, drives and other small-area lighting applications where low mounting heights are desirable



25.59"(H) x 4.72"(W) x 3.15"(D)

Features

- Corrosion Resistant Aluminum for Exterior
- Wattage & CCT Selectable Switches inside fixture
- 7-Year Warranty

Technical Specifications

Electrical:

- Voltage: 120-277V AC
- Wattage: 10W
- Power Factor: >0.9
- Efficacy: 100LM/W

Mechanical:

- Corrosion Resistant Aluminum for Exterior
- Anchor bolt and accessories are not included - see the accessories
- Operating Temperature: -40°F to 122°F
- IP Rating: IP65, Wet Locations
- 7 Years Warranty

Lighting:

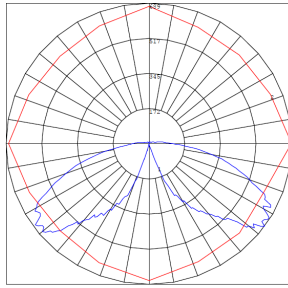
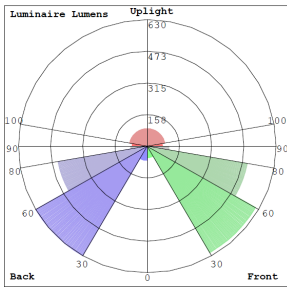
- Multi CCT Selectable Switches inside fixture
- Lumens: 1000LM Max.
- Color Temperatures: 3000K/4000K/5000K
- Color Rendering Index: CRI ≥ 80
- Beam Angle : 360°
- Lifespan: 70000 Hours

Applications:

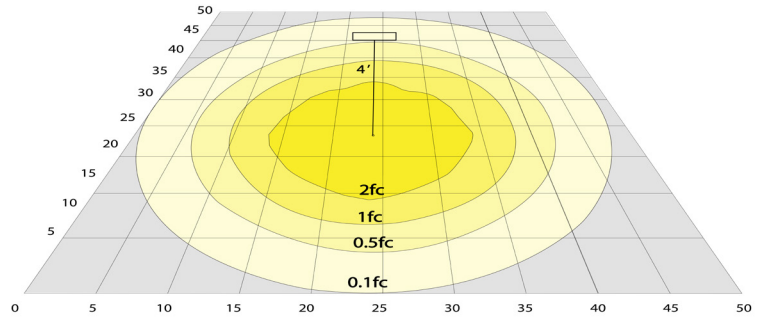
- Bollards are designed for walkways, entrance ways, drives and other small-area lighting applications where low mounting heights are desirable



Photometrics: BOL-502-32-MCT



BUD Rating: B1-U3-G2



Area 75'x 65' Mounting Height: 4'

Performance Table: BOL-502-32-MCT

MODEL NO.	Wattage	Voltage	Lumens	Color Temp.	BUG Rating	LPW
BOL-502-32-MCT-BK BOL-502-32-MCT-BR	10W	120~277V	500LM	3000K 4000K 5000K	B1-U3-G2	100

Sample Ordering

Model **Style** **Size** **Color Temp.** **Housing**
 - - - -

BK= Black
BR= Bronze

Accessories:

Blank = No Option For Accessories
BOL-502-ABK = BOL-502 Series Anchor Bolt Kit

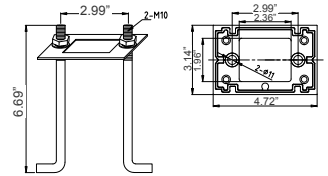
Factory-Installed Options:

Blank = No Option For Accessories
OPT-EM-OD1INT = Emergency Backup Internal Battery, Back Box
OPT-CRL-95(BK/GR/SR/WH) = Paint
OPT-SEN-WMC = Microwave Bi-Level Sensor

ACCESSORIES:



BOL-502-ABK



BOL-502-ABK
6.69"(H) x 2.99"(W)

FACTORY-INSTALLED OPTION:



OPT-EM-OD1INT
INTERNAL BATTERY



OPT-SEN-WMC
MICROWAVE BI-LEVEL SENSOR



OPT-PC-B
FOR 120V-277V PHOTOCELL

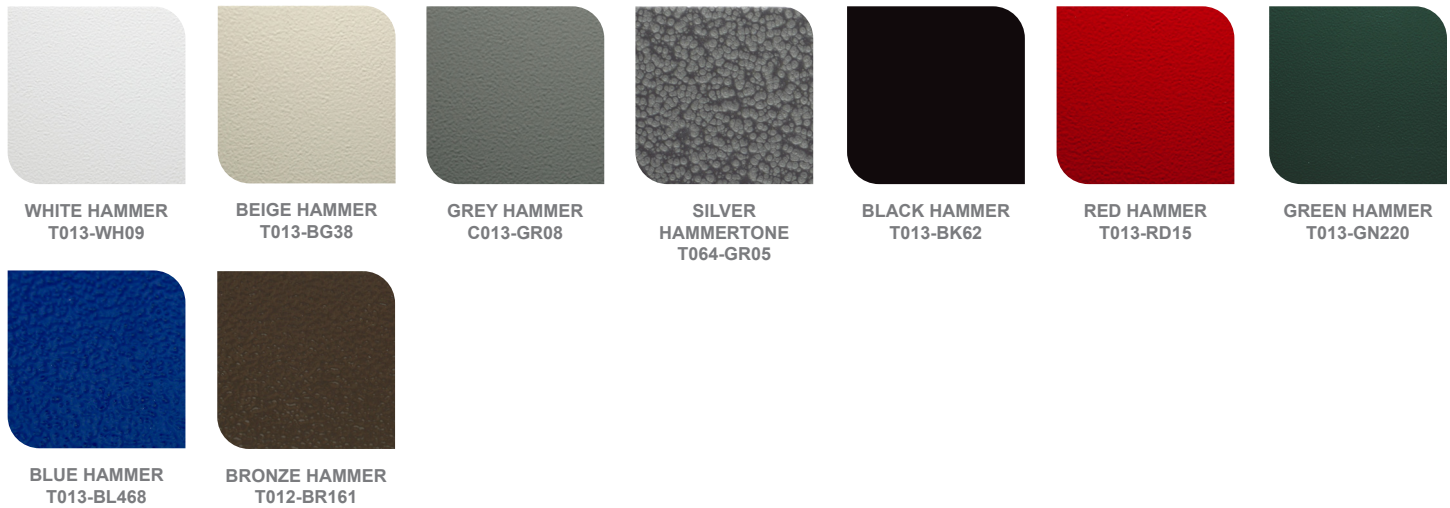


COLOR CHART: * Choose from one of our Premium Colors with no set-up fee.

Gloss:



Hammer:



Texture:



Vein:

